

SAFETY
SIMPLIFIED
MANAGE
ORGANIZE
EFFORTLESS

Innovative Medical Designs has once again Raised the Standard with intuitive solutions to better manage IV products. We strive to improve efficiency, productivity and the quality of care. Pioneering new ideas requires professional input, creative thought and a vision to what could be!

MANAGE

Clear patient head access - improves patient care

ORGANIZE

IV pole stays with patient for entire stay - no more moving pumps and bags to other poles

EFFORTLESS

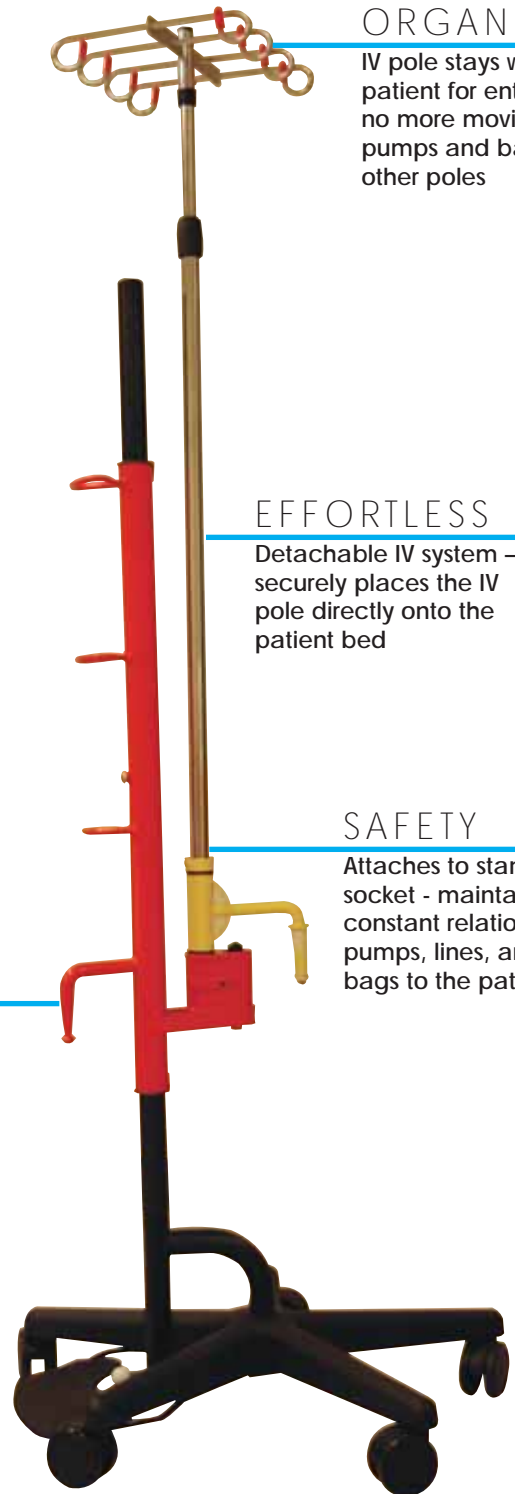
Detachable IV system - securely places the IV pole directly onto the patient bed

SAFETY

Attaches to standard IV socket - maintains constant relationship of pumps, lines, and bags to the patient

SIMPLIFIED

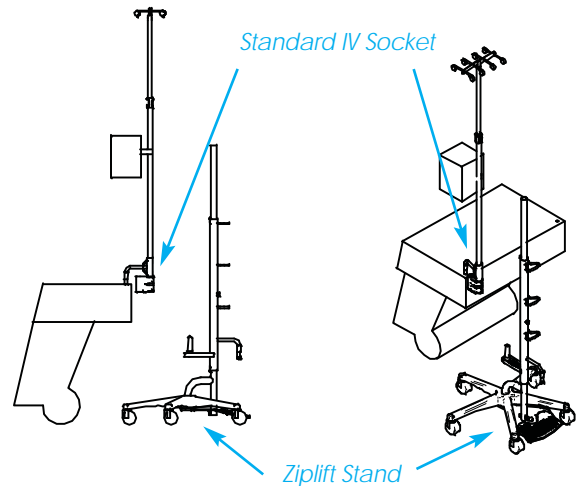
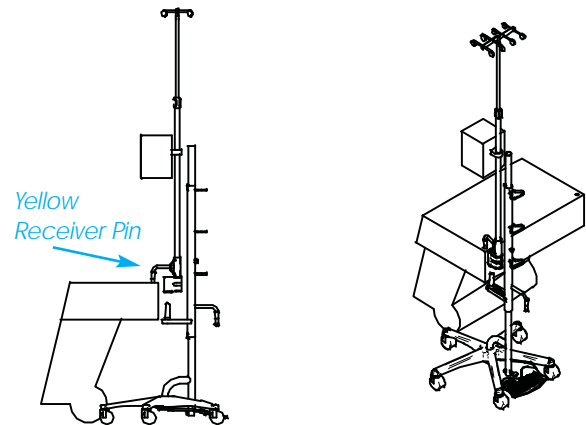
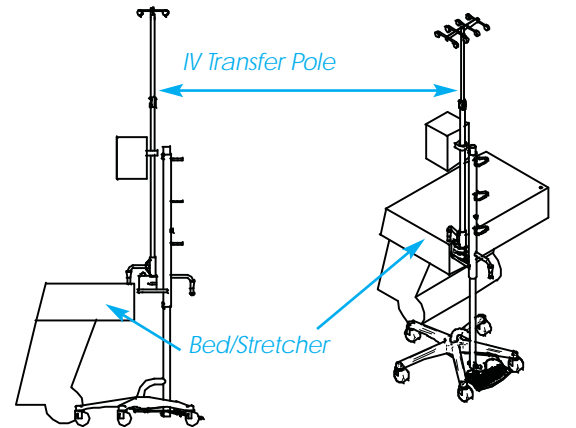
No special adapters - works with any bed, any stretcher, anywhere throughout the hospital



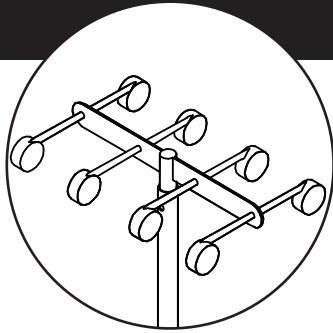
ZIPlift

The Ziplift IV Transfer System works like a normal IV pole, but it enables nurses to transfer IV poles to and from the patient's bed without lifting or detaching the pumps. The System raises and lowers to effortlessly detach the IV Transfer Pole to and from the bed separating the IV Transfer Pole from the Ziplift Stand. Since this system can be used anywhere in the hospital, the result is safer, easier and faster patient transport. Complimentary accessory features include: 8 hook topper and the BOA line organizer.

Side View Three Quarter View

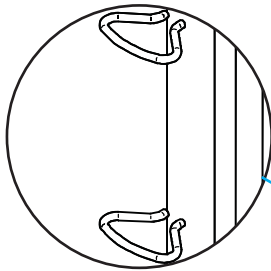


Model JWF-0302
ZipLift IV System

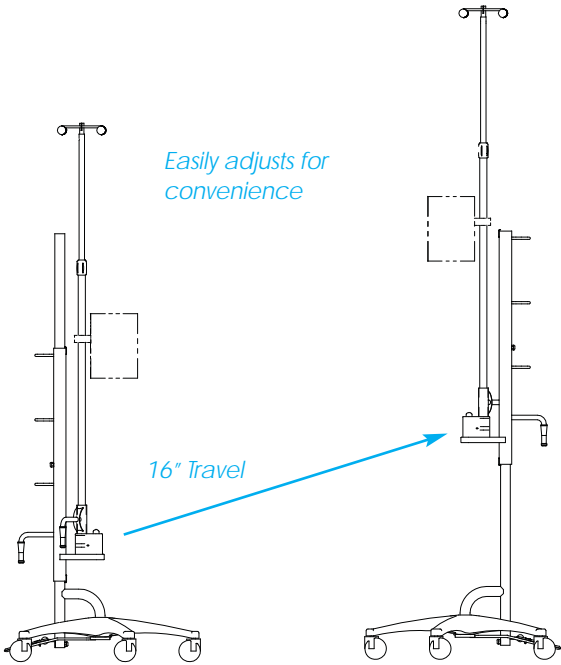


8 hook topper - optional

Optional 8 Hook
Topper shown

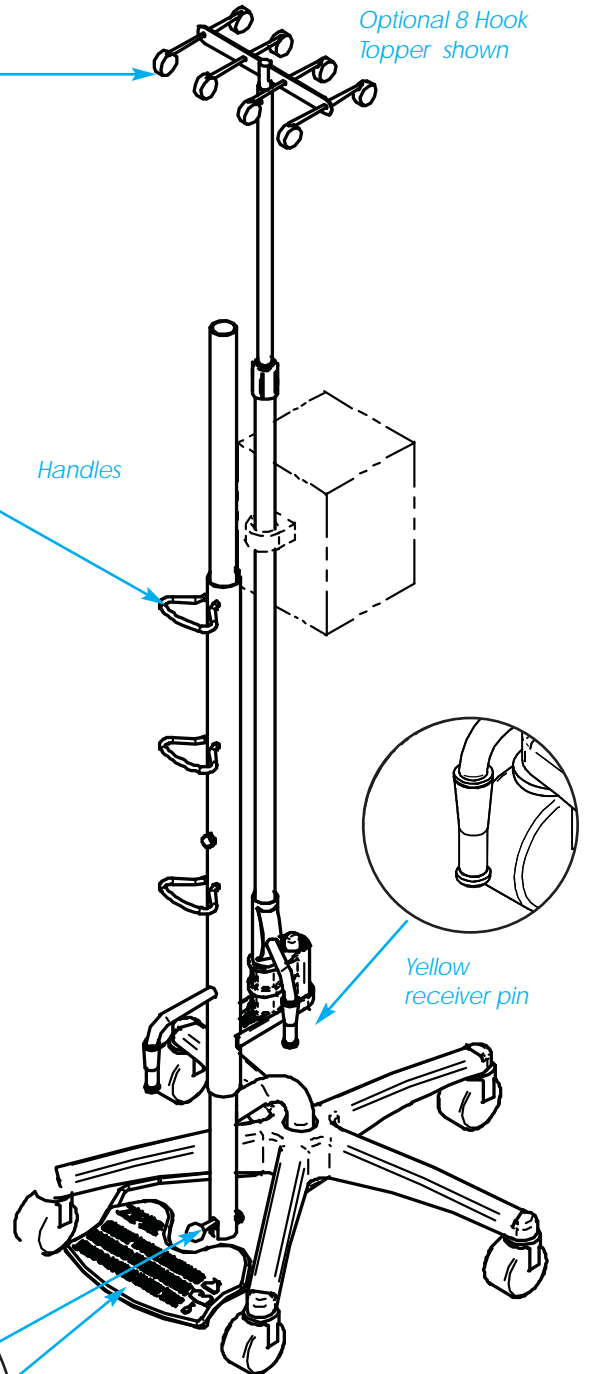


Handles

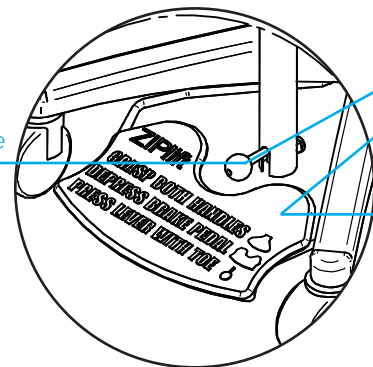


Easily adjusts for
convenience

16" Travel



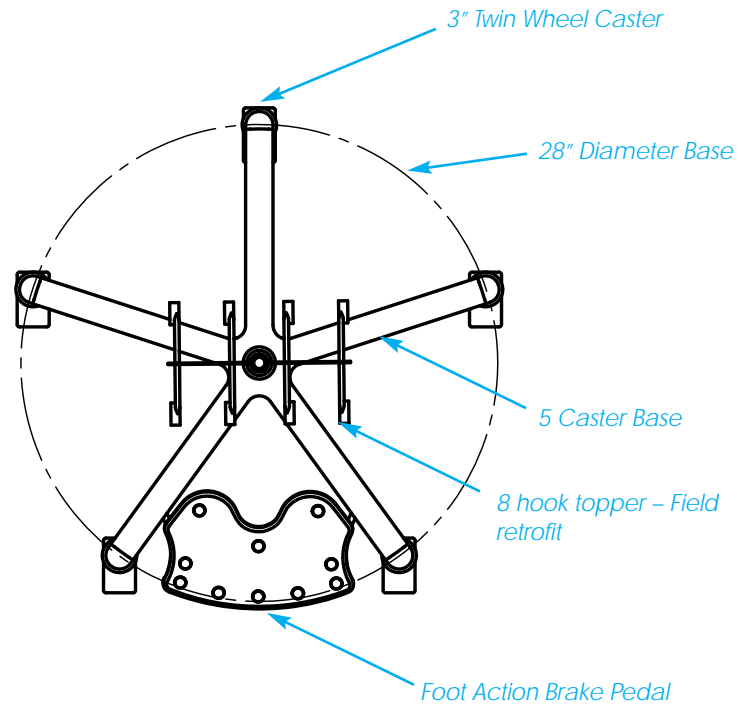
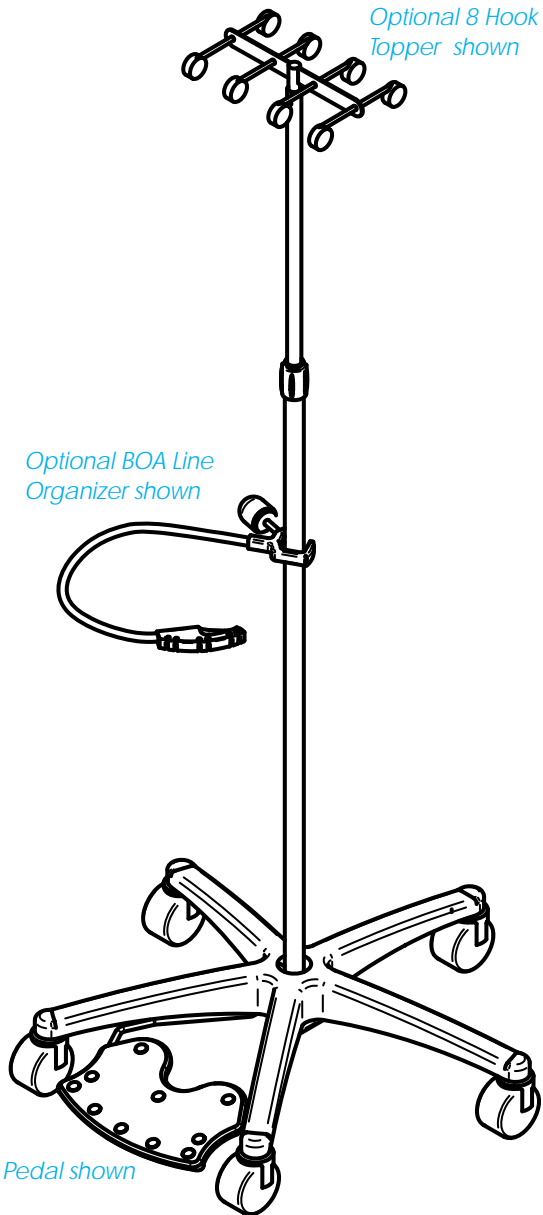
Yellow
receiver pin



Release lever at toe

Brake pedal with instructions

Model JWF-0400 IV Management Stand

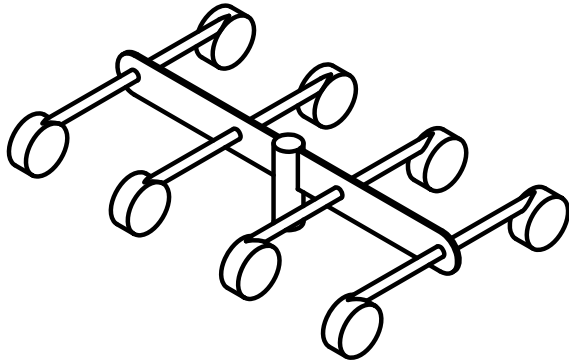


PRODUCT NUMBER

	JWF-0400	JWF-0302
Pump Capacity	6-8 channels	4-6 channels per pole
Pole Weight empty	8 lbs (4kg)	-
ZipLift Capacity	-	30lbs (13.5kg)
Carrying Capacity per pole	50lbs (23kg)	44lbs (20kg)
Upgradeable	Yes	-
IV Pole per ZipLift	-	One - Pole height 46 - 81"
IV Pole Height	50-85" (127 - 216cm)	61-100" (155-254 cm)

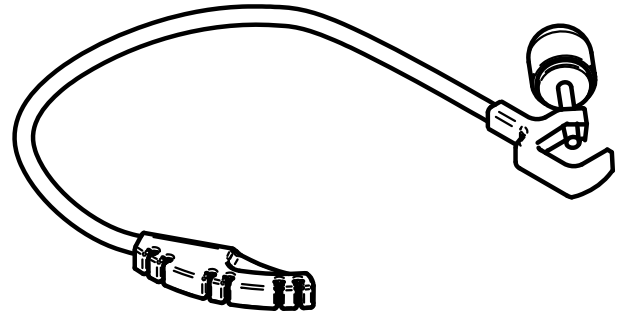
Model JWF-0900-04 8 Hook Topper

In-line hooks for improved visibility – Field retrofit



JWF-0900-03 BOA Line Organizer

Clampable, bendable arm with flexible end to grip and visually hold IV lines and leads – Field retrofit



The BOA IV Line Organizer organizes and separates IV lines allowing for accurate visualization of multiple lines while reducing line occlusions. The BOA lifts the IV lines off the floor preventing lines from tangling and preventing environmental safety issues for the patient and staff. This product also handles electrical leads, suction lines, and vent lines.